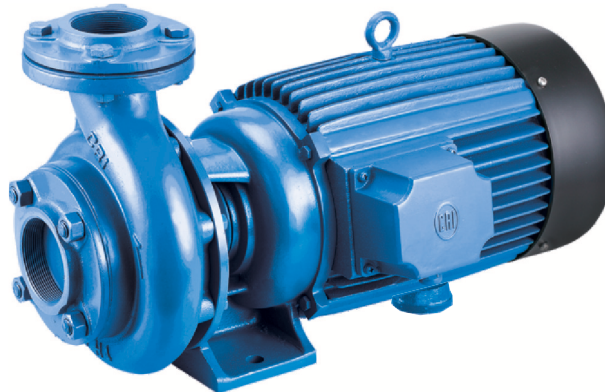
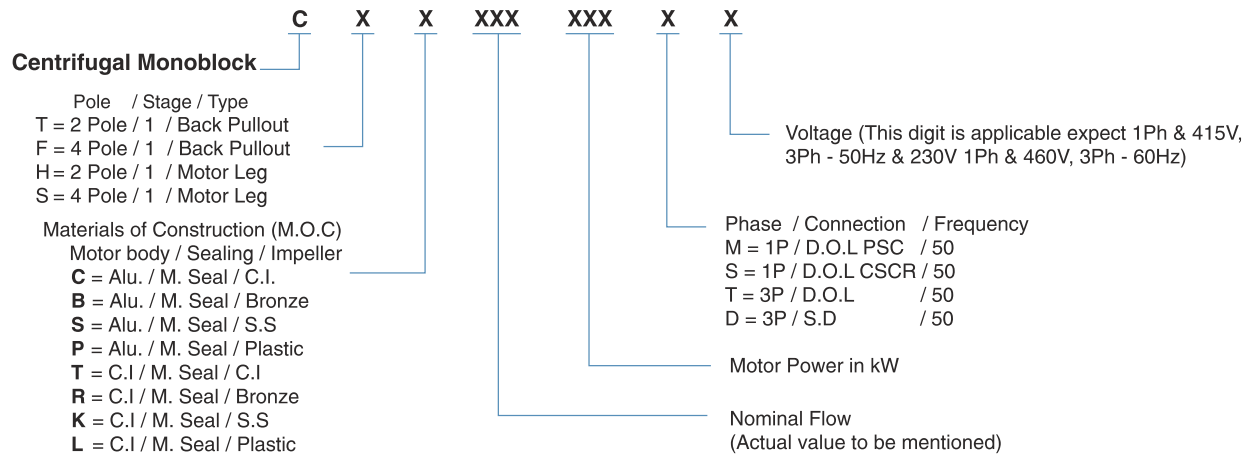


Centrifugal Monoblock Pumps

CT SERIES



MODEL IDENTIFICATION CODE



DESCRIPTION

C.R.I. Centrifugal pump's volute chamber and impellers are carefully designed to give the best possible hydraulic and suction lift characteristics. Most modern and highly sophisticated machinery and technology are employed in the manufacture of these pumps using quality raw material, dynamically balanced impellers, seals and ball bearings to ensure long life. Dynamically balanced rotor ensures vibration and noise free operation. Shaft is made of quality steel, precision ground of ample size for transmitting the rated Horse Power.

SPECIFICATIONS

Power Range (kW)	2.2 kW to 15 kW
Speed	2900 rpm
Degree of Protection	IP 54
Class of insulation	"F" / "B"
Versions	Three Phase, 380-415V, 50Hz A.C Supply
Type of Duty	S1 (Continuous)
Direction of Rotation	Clock wise viewed from driving end
Nominal Delivery & Suction Size	2" x 1½" 2½" x 2" 3" x 2½" 3" x 3" 4" x 3" 4" x 4"
Pole	2

MATERIAL OF CONSTRUCTION

Pump Casing	C.I.
Motor Frame	C.I.
Impeller	C.I. / S.S. / Bronze
Shaft	S.S. 410
Sealing	Mechanical Seal (Carbon & Ceramic)

PUMP OPERATING LIMITS

Maximum Head	75 m / 246 ft
Maximum Suction lift	7 m
Maximum liquid Temperature	50°C
Maximum Ambient Temperature	40°C

FEATURES

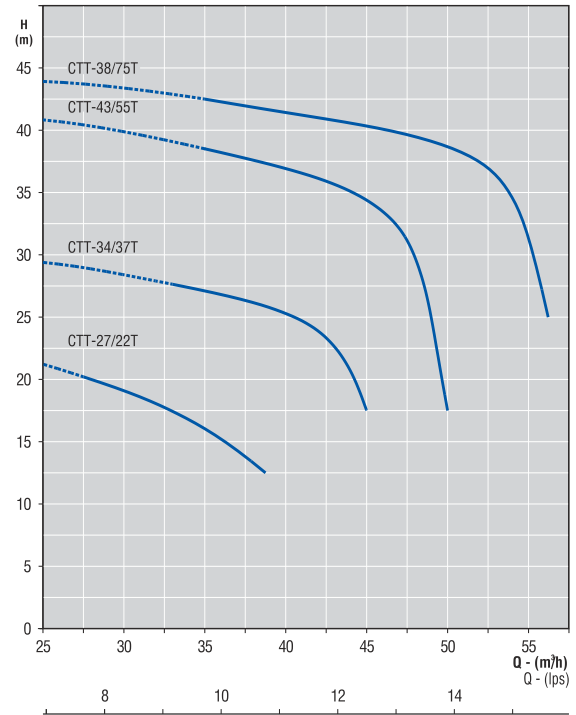
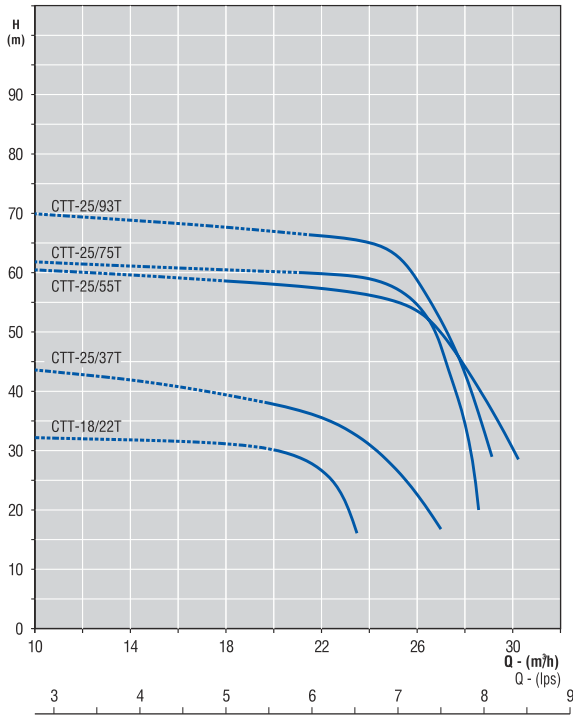
- High operating efficiency resulting in lower power consumption.
- Good suction lift characteristics.
- Dynamically balanced rotating parts including rotor and impeller.
- Balanced and rigid construction.

APPLICATIONS

Residential | Irrigation | Farms | Industrial Water Supply | General Water Supply | Drip and Sprinkler Systems | Water Treatment Plants

PERFORMANCE CURVES

CT SERIES



PERFORMANCE CHARTS

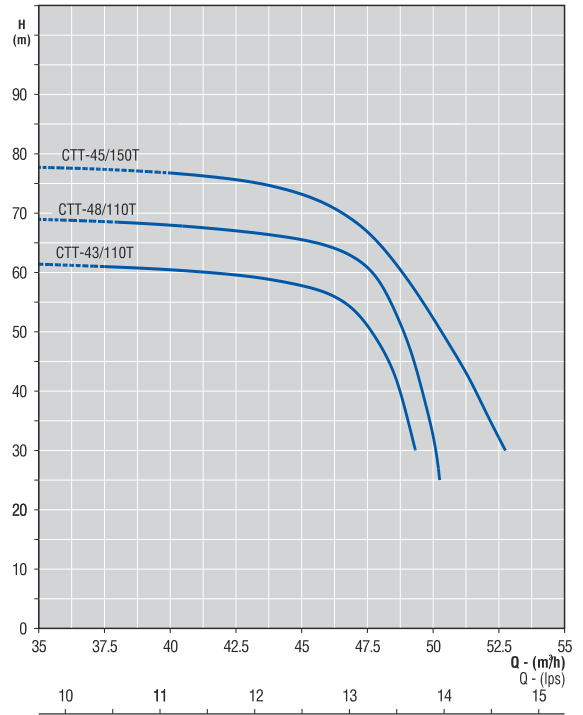
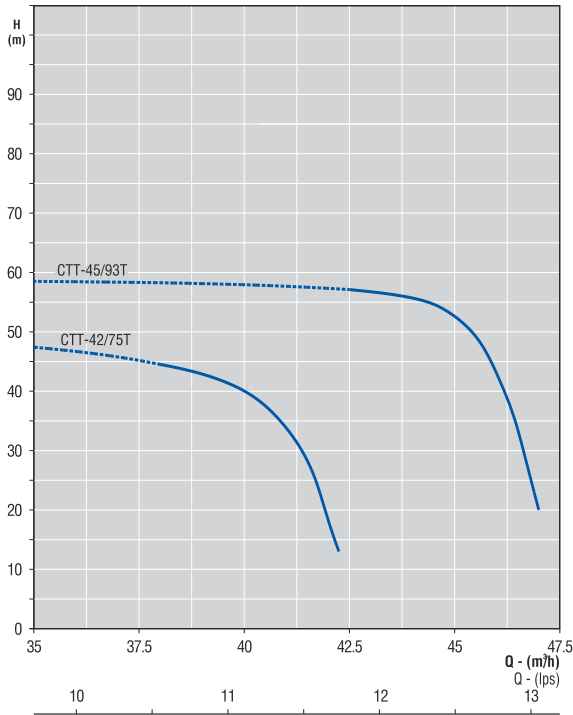
PUMP MODEL	MOTOR POWER		NOMINAL PUMP SIZE (Suc x Del)	TOTAL HEAD IN METRES (AT TEST CONDITIONS)										Shut-off Head	
	kW	HP		20	25	30	35	40	45	50	55	60	65		
CTT-18/22T	2.2	3.0	2" x 1½"	23.2	22.4	20.0									33 m
CTT-25/37T	3.7	5.0	2" x 1½"	26.6	25.6	24.4	22.4	17.2							45 m
CTT-25/55T	5.5	7.5	2" x 1½"			30.2	29.8	28.7	28.0	27.0	25.2	16.4			64 m
CTT-25/75T	7.5	10	2" x 1½"	28.5	28.4	28.2	28.0	27.6	27.2	26.8	26.0	22.0			65 m
CTT-25/93T	9.3	12.5	2" x 1½"			29	28.7	28.3	27.9	27.2	26.7	25.7	24.0		70 m

PUMP MODEL	MOTOR POWER		NOMINAL PUMP SIZE (Suc x Del)	TOTAL HEAD IN METRES (AT TEST CONDITIONS)										Shut-off Head	
	kW	HP		10	15	20	25	30	35	40	45	50	55		
CTT-27/22T	2.2	3.0	2½" x 2"	38.5 (12.5m)	36.0	28.0									24 m
CTT-34/37T	3.7	5.0	2½" x 2"			44.0	40.5	33 (27.5m)							42 m
CTT-43/55T	5.5	7.5	2½" x 2"			49.5	49.0	48.0	44.0	35.0 (38m)					43 m
CTT-38/75T	7.5	10	2½" x 2"				56.0	55.5	53.5	46.5	35.0 (48m)				50 m

Curve tolerance according to ISO 9906, Annex A.
 The performance data are at rated voltage and only indicative. Actual discharge depends on availability of water / tank, height of water column from the suction pipe end.
 In view of continuous developments the information / performance / descriptions / specifications / illustrations are subject to change without notice.

PERFORMANCE CURVES

CT SERIES



PERFORMANCE CHARTS

PUMP MODEL	MOTOR POWER		NOMINAL PUMP SIZE (Suc x Del)	TOTAL HEAD IN METRES (AT TEST CONDITIONS)												Shut-off Head	
	kW	HP		10	15	20	25	30	35	40	45	50	55	60	65		70
CTT-42/75T	7.5	10	2½" x 2"		42.5	42.0	41.7	41.5	40.5	40.0	37.5						54 m
CTT-45/93T	9.3	12.5	2½" x 2"			47.0	46.7	46.5	46.3	46.2	45.7	45.5	44.0				58 m

PUMP MODEL	MOTOR POWER		NOMINAL PUMP SIZE (Suc x Del)	TOTAL HEAD IN METRES (AT TEST CONDITIONS)												Shut-off Head	
	kW	HP		15	20	25	30	35	40	45	50	55	60	65	70		75
CTT-43/110T	11	15	2½" x 2"				49.2	49.0	48.7	48.2	47.7	46.5	41.2				64 m
CTT-48/110T	11	15	2½" x 2"			50.2	50.0	49.7	49.5	49.2	49.0	48.2	47.7	45.5			68 m
CTT-45/150T	15	20	2½" x 2"				52.7	52.2	51.5	51.0	50.2	49.5	48.7	48.0	46.5	43.7	78 m

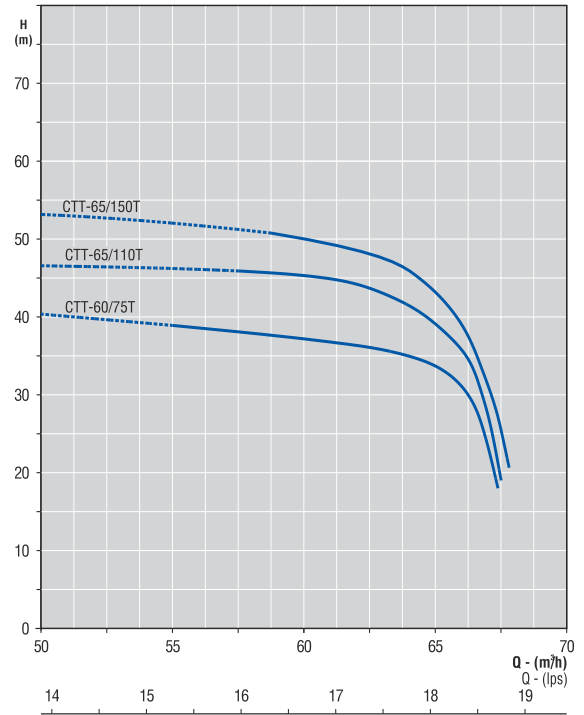
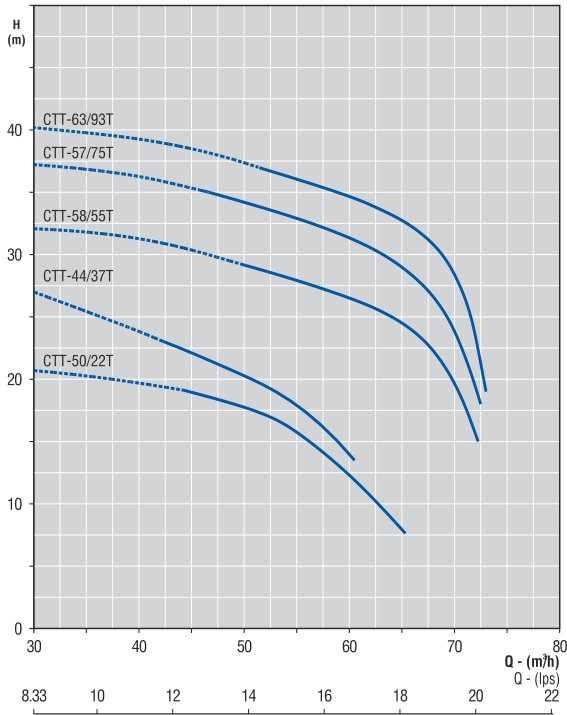
Curve tolerance according to ISO 9906, Annex A.

The performance data are at rated voltage and only indicative. Actual discharge depends on availability of water / tank, height of water column from the suction pipe end.

In view of continuous developments the information / performance / descriptions / specifications / illustrations are subject to change without notice.

PERFORMANCE CURVES

CT SERIES



PERFORMANCE CHARTS

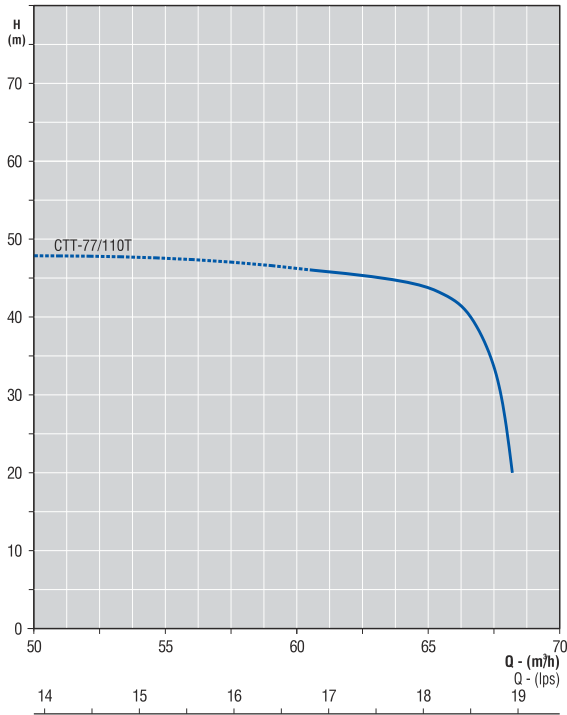
PUMP MODEL	MOTOR POWER		NOMINAL PUMP SIZE (Suc x Del)	TOTAL HEAD IN METRES (AT TEST CONDITIONS)														Shut-off Head		
	kW	HP		7.5	10	12.5	15	17.5	20	22.5	25	27.5	30	32.5	35	37.5	40		42.5	45
CTT-50/22T	2.2	3.0	3" x 2½"	65.5	62.5	59.5	56.0	51.0												20 m
CTT-44/37T	3.7	5.0	3" x 2½"				59.0	55.5	51.0	44.0										29 m
CTT-58/55T	5.5	7.5	3" x 2½"				72.0	71.0	70.0	67.5	64.0	56.5	46.5							34 m
CTT-57/75T	7.5	10.0	3" x 2½"					72.5	71.5	70.5	69.0	67.0	63.0	56.5	47.0					39 m
CTT-63/93T	9.3	12.5	3" x 2½"						73.0	72.0	71.5	70.5	69.0	65.5	59.0	49.5				44 m

PUMP MODEL	MOTOR POWER		NOMINAL PUMP SIZE (Suc x Del)	TOTAL HEAD IN METRES (AT TEST CONDITIONS)														Shut-off Head		
	kW	HP		12.5	15	17.5	20	22.5	25	27.5	30	32.5	35	37.5	40	42.5	45		47.5	50
CTT-60/75T	7.5	10.0	3" x 2½"			67.5	67.0	66.8	66.5	66.2	66.0	65.5	64.0	59.5						42 m
CTT-65/110T	11.0	15.0	3" x 2½"				67.5	67.4	67.2	67.0	66.7	66.5	66.0	65.5	64.5	63.5	61.0			50 m
CTT-65/150T	15.0	20.0	3" x 2½"					67.7	67.5	67.3	67.1	66.7	66.5	66.2	66.0	65.0	64.5	63.0	60.0	61 m

Curve tolerance according to ISO 9906, Annex A.
 The performance data are at rated voltage and only indicative. Actual discharge depends on availability of water / tank, height of water column from the suction pipe end.
 In view of continuous developments the information / performance / descriptions / specifications / illustrations are subject to change without notice.

PERFORMANCE CURVES

CT SERIES



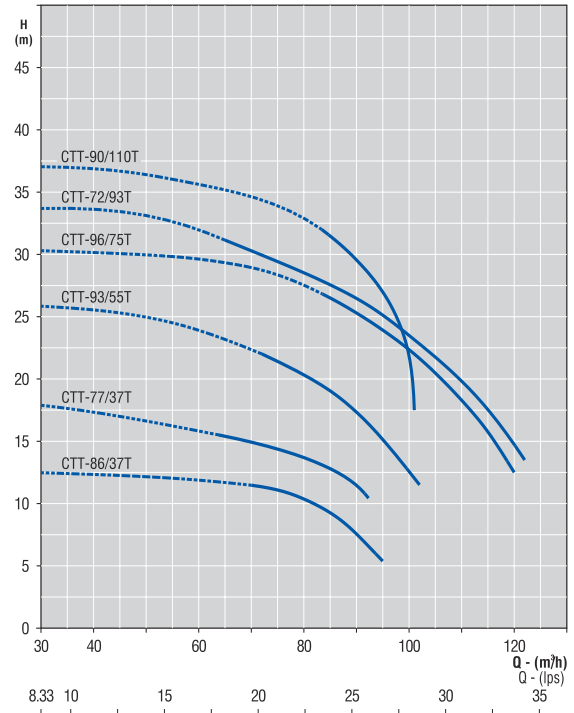
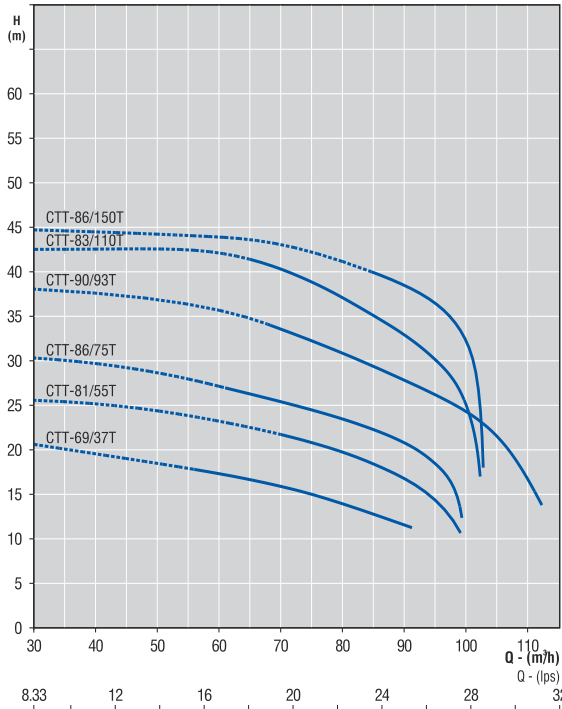
PERFORMANCE CHARTS

PUMP MODEL	MOTOR POWER		NOMINAL PUMP SIZE (Suc x Del)	TOTAL HEAD IN METRES (AT TEST CONDITIONS)							Shut-off Head		
	kW	HP		20	25	30	35	40	45	50		55	60
CTT-77/110T	11	15.0	3" x 3"	68.2	68.0	67.7	67.3	66.7	63.0				50 m

Curve tolerance according to ISO 9906, Annex A.
 The performance data are at rated voltage and only indicative. Actual discharge depends on availability of water / tank, height of water column from the suction pipe end.
 In view of continuous developments the information / performance / descriptions / specifications / illustrations are subject to change without notice.

PERFORMANCE CURVES

CT SERIES



PERFORMANCE CHARTS

PUMP MODEL	MOTOR POWER		NOMINAL PUMP SIZE (Suc x Del)	TOTAL HEAD IN METRES (AT TEST CONDITIONS)													Shut-off Head		
	kW	HP		10	12.5	15	17.5	20	22.5	25	27.5	30	32.5	35	37.5	40		42.5	45
CTT-69/37T	3.7	5.0	4" x 3"	92.0 (11m)	86.0	75.0	58.0	50.0 (18.5m)											21 m
CTT-81/55T	5.5	7.5	4" x 3"	99.5	97.5	94.0	88.0	79.0	65.0	60.0 (23m)									24 m
CTT-86/75T	7.5	10	4" x 3"		99.5	98.5	96.5	92.0	84.0	72.0	60.0								31 m
CTT-90/93T	9.3	12.5	4" x 3"			111.5	109.5	107.0	103.5	98.0	91.0	83.0	74.0	64.0					38 m
CTT-83/110T	11	15.0	4" x 3"				102.5	102.0	101.0	100.0	98.5	95.0	91.0	85.0	79.0	71.0			43 m
CTT-86/150T	15	20.0	4" x 3"					103.0	102.5	102.0	101.5	101.0	100.0	97.0	93.0	85.0	74.0		45 m

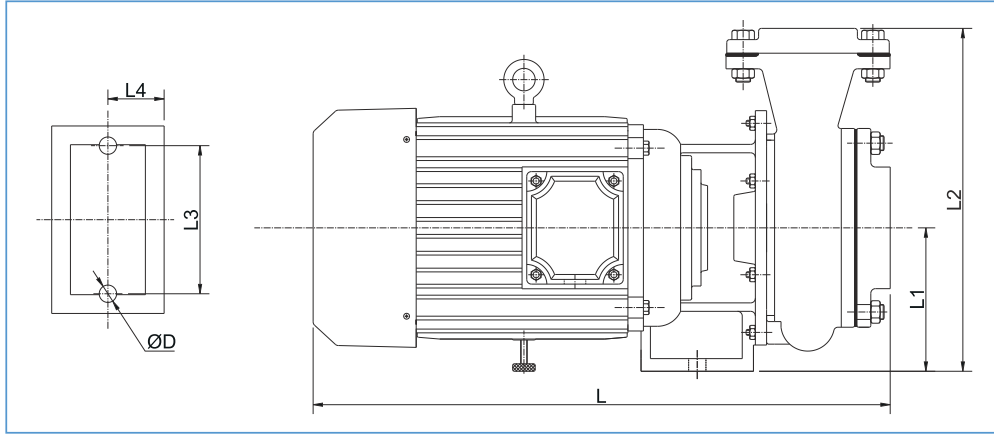
PUMP MODEL	MOTOR POWER		NOMINAL PUMP SIZE (Suc x Del)	TOTAL HEAD IN METRES (AT TEST CONDITIONS)													Shut-off Head		
	kW	HP		5	7.5	10	12.5	15	17.5	20	22.5	25	27.5	30	32.5	35		37.5	40
CTT-86/37T	3.7	5.0	4" x 4"	95.0	90.0	82.0	70.0 (11.5m)												17 m
CTT-77/37T	3.7	5.0	4" x 4"			93.0	86.0	70.0	58.0 (16m)										19 m
CTT-93/55T	5.5	7.5	4" x 4"				100.0	95.0	90.0	82.0	69.0							26 m	
CTT-96/75T	7.5	10	4" x 4"				120.0	116.0	112.0	106	100.0	91.0	80.0					30 m	
CTT-72/93T	9.3	12.5	4" x 4"					120.0	115.0	110.0	103.0	95.5	85.0	72.0				35 m	
CTT-90/110T	11	15	4" x 4"						101.0	100.5	99.5	97.5	94.0	89.0	81.0			39 m	

Curve tolerance according to ISO 9906, Annex A.

The performance data are at rated voltage and only indicative. Actual discharge depends on availability of water / tank, height of water column from the suction pipe end.

In view of continuous developments the information / performance / descriptions / specifications / illustrations are subject to change without notice.

DIMENSIONAL DRAWING



DIMENSIONAL DATA

PUMP MODEL	MOTOR POWER	DNs	DNd	L	L1	L2	L3	L4	ØD	NETT WEIGHT (Approx.)
	kW									
CTT-18/22T	2.2	2	1½	575.0	140.0	347.50	130.0	56	18.50	62.0
CTT-25/37T	3.7	2	1½	575.0	140.0	347.50	130.0	56	18.50	77.0
CTT-25/55T	5.5	2	1½	600.0	151.0	360.00	158.0	60	18.50	93.0
CTT-25/75T	7.5	2	1½	650.0	151.0	361.00	158.0	60	18.50	103.0
CTT-25/93T	9.3	2	1½	650.0	191.0	420.00	158.0	60	18.50	108.0
CTT-27/22T	2.2	2½	2	575.0	140.0	347.50	130.0	56	18.50	62.0
CTT-34/37T	3.7	2½	2	575.0	140.0	312.50	130.0	56	18.50	77.0
CTT-43/55T	5.5	2½	2	600.0	151.0	359.00	158.0	60	18.50	93.0
CTT-38/75T	7.5	2½	2	650.0	151.0	359.00	158.0	60	18.50	103.0
CTT-42/75T	7.5	2½	2	650.0	151.0	359.00	158.0	60	18.0	103.0
CTT-45/93T	9.3	2½	2	650.0	195.0	420.50	158.0	60	18.50	108.0
CTT-43/110T	11.0	2½	2	710.0	195.0	440.00	185.0	62	18.50	113.0
CTT-48/110T	11.0	2½	2	710.0	195.0	440.00	185.0	62	18.50	113.0
CTT-45/150T	15.0	2½	2	710.0	195.0	440.00	185.0	62	18.50	162.0
CTT-50/22T	2.2	3	2½	575.0	140.0	347.50	130.0	56	18.50	62.0
CTT-44/37T	3.7	3	2½	575.0	140.0	347.50	130.0	56	18.50	77.0
CTT-58/55T	5.5	3	2½	600.0	151.0	377.00	158.0	60	18.50	93.0
CTT-57/75T	7.5	3	2½	650.0	151.0	377.00	158.0	60	18.50	103.0
CTT-60/75T	7.5	3	2½	650.0	151.0	377.00	158.0	60	18.50	103.0
CTT-63/93T	9.3	3	2½	650.0	195.0	420.00	158.0	60	18.50	108.0
CTT-65/110T	11.0	3	2½	710.0	195.0	427.50	185.0	62	18.50	113.0
CTT-65/150T	15.0	3	2½	710.0	195.0	427.50	185.0	62	18.50	162.0
CTT-77/110T	11.0	3	3	710.0	195.0	427.50	185.0	62	18.50	113.0
CTT-69/37T	3.7	4	3	575.0	140.0	312.50	130.0	56	18.50	77.0
CTT-81/55T	5.5	4	3	600.0	151.0	365.50	158.0	60	18.50	93.0
CTT-86/75T	7.5	4	3	650.0	151.0	365.50	158.0	60	18.50	130.0
CTT-90/93T	9.3	4	3	650.0	195.0	409.50	158.0	60	18.50	108.0
CTT-83/110T	11.0	4	3	710.0	195.0	427.50	185.0	62	18.50	113.0
CTT-86/150T	15.0	4	3	710.0	195.0	440.00	185.0	62	18.50	162.0
CTT-86/37T	3.7	4	4	575.0	140.0	312.50	130.0	56	18.50	77.0
CTT-77/37T	3.7	4	4	575.0	140.0	312.50	130.0	56	18.50	77.0
CTT-93/55T	5.5	4	4	600.0	151.0	361.00	158.0	60	18.50	93.0
CTT-96/75T	7.5	4	4	650.0	151.0	361.00	158.0	60	18.50	103.0
CTT-72/93T	9.3	4	4	710.0	195.0	436.00	185.0	60	18.50	108.0
CTT-90/110T	11.0	4	4	710.0	195.0	427.50	185.0	62	18.50	113.0