



www.pumps.com.tw



DSP

Submersible Sewage Pump
Heavy Duty Industrial application
Solid pass 40~65mm

Liquid temperature : 0°C to 40°C / +32°F to +104°F
HP range : 2 to 15 HP / 1.5Kw to 11Kw
PH : 6 to 8
Protection class : IP68
Maximum immersion depth : 6M



Industrial sewage treatment station.



Domestic sewage treatment

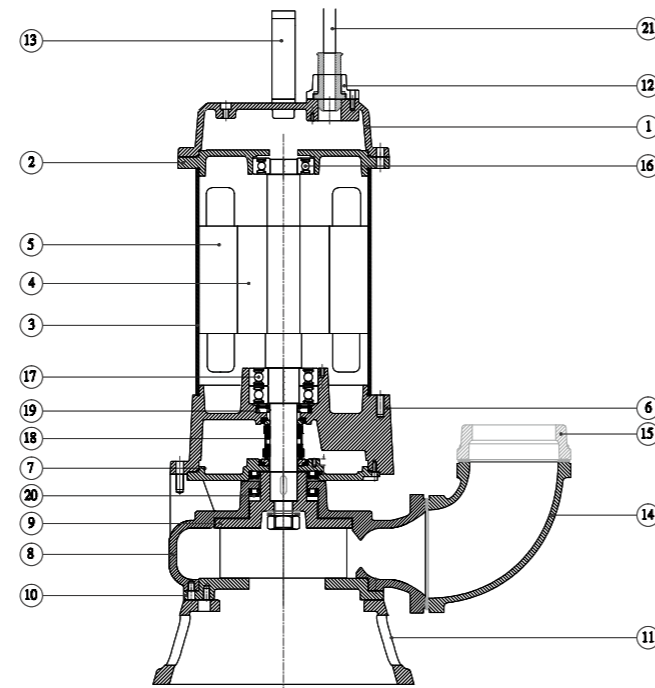
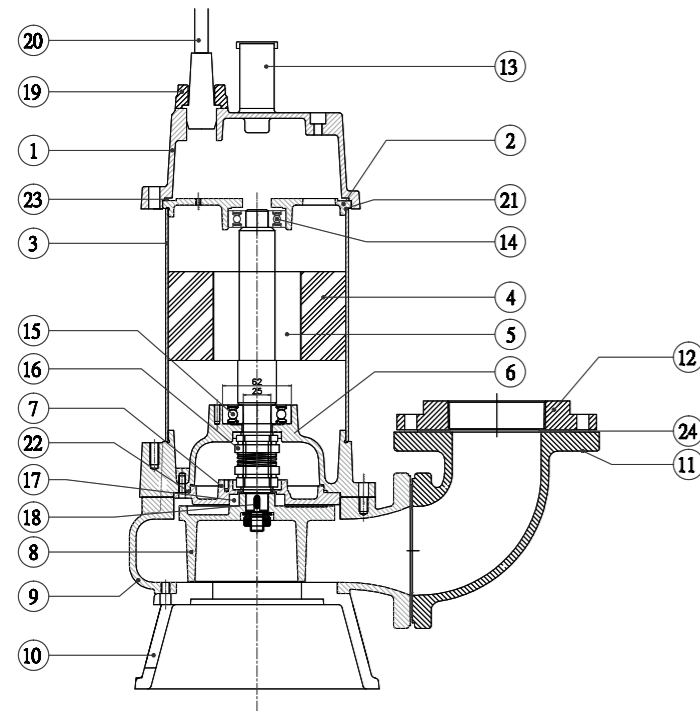


Water or sewage sump pit.
Tunnel waste water drainage.

HUNG PUMP GROUP

SEWAGE PUMP

Nhà phân phối chính thức máy bơm nước APP Đài Loan | Hotline: 093 824 8589 | www.vinafluid.com

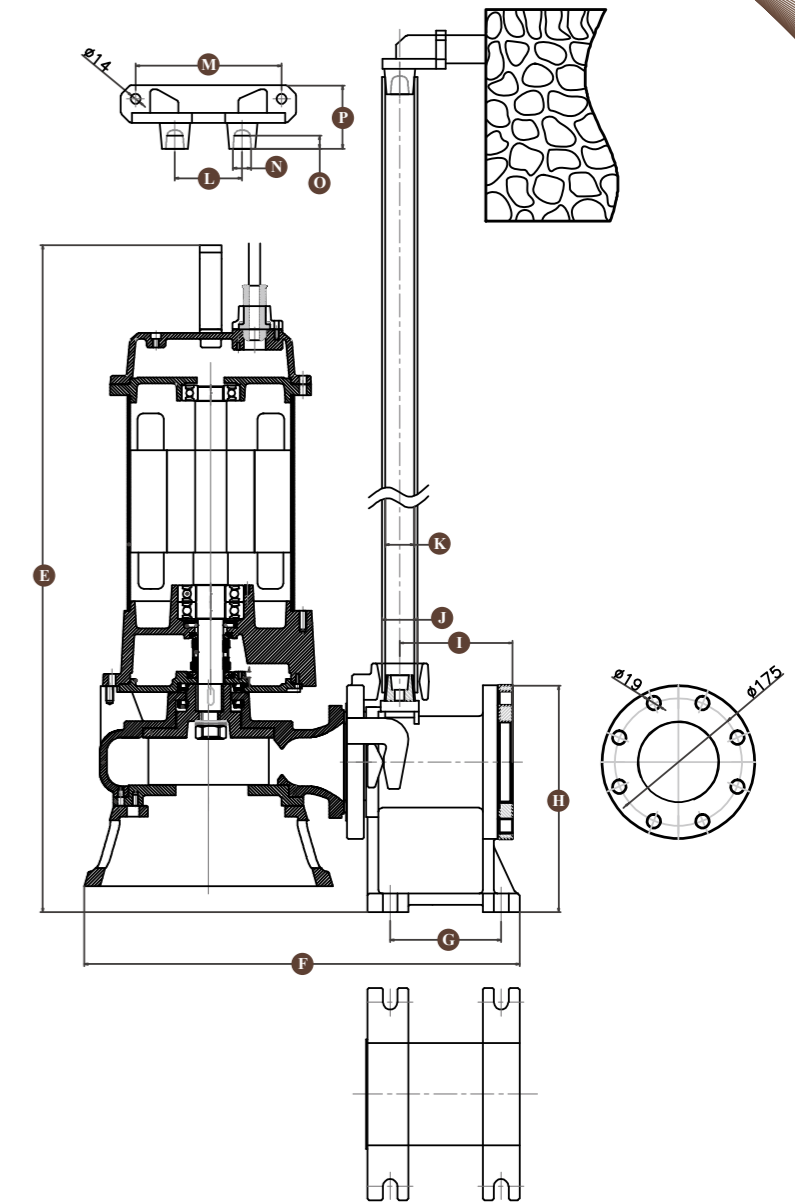
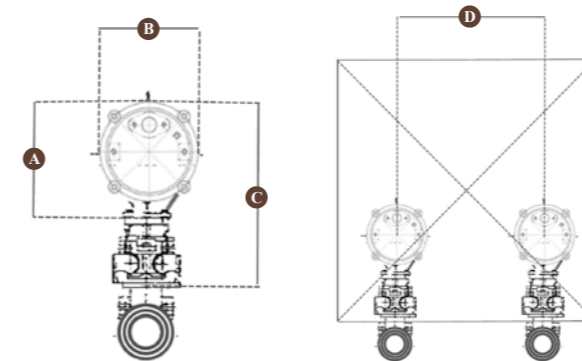
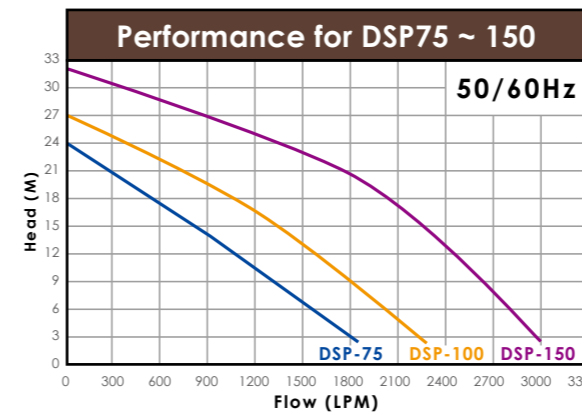
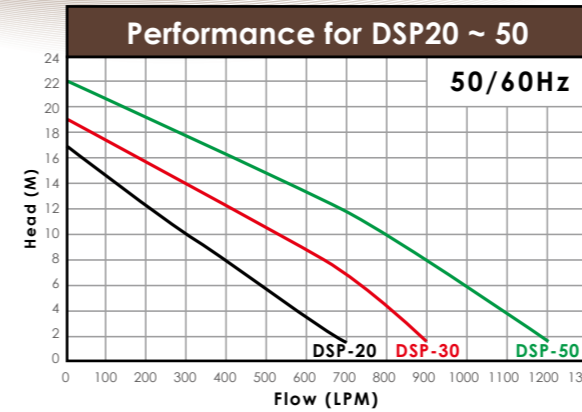


Construction for DSP 20 ~ 50

No.	Description	Material
1	Top Cover	FC200
2	Bearing Cover	FC200
3	Motor Casing	SUS304
4	Coil	C60
5	Shaft	S25C+SUS410
6	Seal Plate	FC200
7	Oil Seal Cover	FC200
8	Impeller	FCD45
9	Pump Casing	FC200
10	Strainer	FC200
11	Elbow	FC200
12	Flange	FC200
13	Handle	
14	Bearing DSP-20	6203LLUCM/L542(PP cover)
14	Bearing DSP-30	6304LLUCM/L542(PP cover)
14	Bearing DSP-50	6304LLUCM/L542(PP cover)
15	Bearing DSP-20	6304LLUCM/L542(PP cover)
15	Bearing DSP-30	6305LLUCM/L542(PP cover)
15	Bearing DSP-50	6305LLUCM/L542(PP cover)
16	Mechanical Seal	CA/CE-SIC/SIC+NBR
17	Oil Seal	NBR
18	Key	SC
19	Power Cable Cover	FC200
20	Power Cable	H07RNF*2.5*4C
21	O-Ring	NBR
22	O-Ring	NBR
23	Packing	NBR
24	Packing	NBR

Construction for DSP 75 ~ 150

No.	Description	Material
1	Top Cover	FC200
2	Bearing Cover	FC200
3	Motor Casing	SUS304
4	Shaft	S25C+SUS410
5	Coil	C60
6	Seal Plate	FC200
7	Oil Seal Cover	FC200
8	Pump Casing	FC200
9	Impeller	FCD45
10	Diffuser	FCD45
11	Strainer	FC200
12	Power Cable Cover	FC200
13	Handle	SC
14	Elbow	FC200
15	Flange	FC200
16	Bearing DSP-75	6306LLUCM/L542(PP cover)
16	Bearing DSP-100	6306LLUCM/L542(PP cover)
16	Bearing DSP-150	6307VVC MNS7S5(PP cover)
17	Bearing DSP-75	6307VVC MNS7S5(PP cover)
17	Bearing DSP-100	6307VVC MNS7S5(PP cover)
17	Bearing DSP-150	6308LLUCM/L542(PP cover)
18	Mechanical Seal	CA/CE-SIC/SIC+NBR
19	Oil Seal	NBR
20	Oil seal	NBR
21	Power Cable	NBR

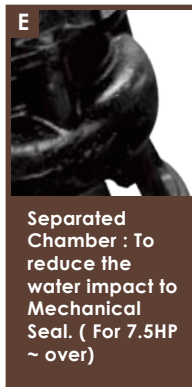
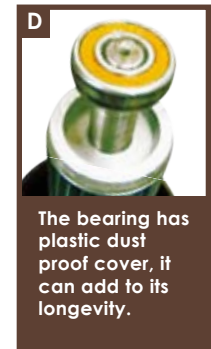
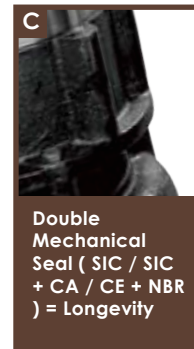
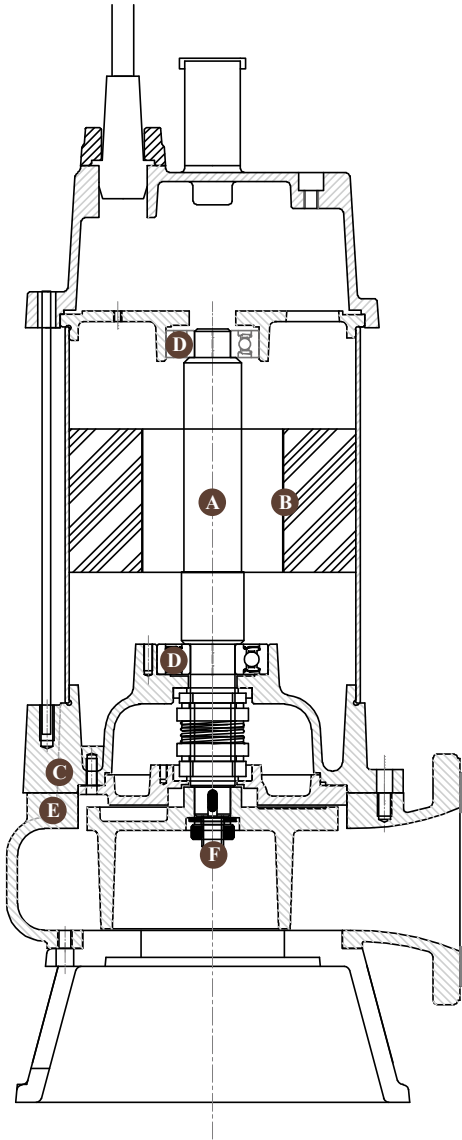


Dimension

Model	A	B	C	D	E	F	G	H	I	J	K	L	M	N	O	P
	mm	mm	mm	mm	mm	mm	mm	mm	mm	mm	mm	mm	mm	mm	mm	mm
DSP-20	251	223	300	390	553	553	230	366	202	32	25.4	70	125	15	17.5	65
DSP-30	306	288	355	505	593.4	693.3	230	366	202	32	25.4	70	125	15	17.5	65
DSP-50	303	290	353	508	636.9	690.8	230	366	202	32	25.4	70	125	15	17.5	65
DSP-75	325	303	374	530	680	550	152	310	154	48	40	92	200	25	17.7	86
DSP-100	316	300	366	525	782	555	152	310	154	48	40	92	200	25	17.7	86
DSP-150	357	340	406	595	912	596	152	310	154	48	40	92	200	25	17.7	86

Specifications

Model	Output		Outlet		Pass solid Dia(mm)	Max Flow(LPM)	LPM Flow @ Head					Max Head(M)	Dimension L×W×H(mm)	Weight Kg
	HP	KW	mm	Inch			3M	6M	9M	12M	15M			
DSP-20	2	1.5	80/100	3" / 4"	40	800	750	620	480	310	150	18	400 x 240 x 545	37
DSP-30	3	2.2	80/100	3" / 4"	40	1200	1130	990	800	590	380	20	425 x 220 x 615	47
DSP-50	5	3.7	80/100	3" / 4"	45	1300	1270	1170	1000	790	530	22	425 x 220 x 615	50
							5M	10M	15M	20M	25M			
DSP-75	7.5	5.5	100/150	4" / 6"	50	1900	1840	1500	900	360	-	24	485 x 300 x 735	104
DSP-100	10	7.5	100/150	4" / 6"	65	2300	2260	2000	1500	800	200	27	485 x 300 x 840	114
DSP-150	15	11	100/150	4" / 6"	65	3000	2960	2800	2400	1800	980	32	585 x 340 x 875	165



Optional Cutter Impeller for Cutter Pump Application.



7.5 HP
10 HP
15 HP



2 HP
3 HP
5 HP



Slide rail kits are available for easy removal and reinstallation.