



www.pumps.com.tw

SW & SWO Series

SWO

Open impeller centrifugal pump
For suspended solids in liquid and dirty water
Solids handling to 3/4"

SW

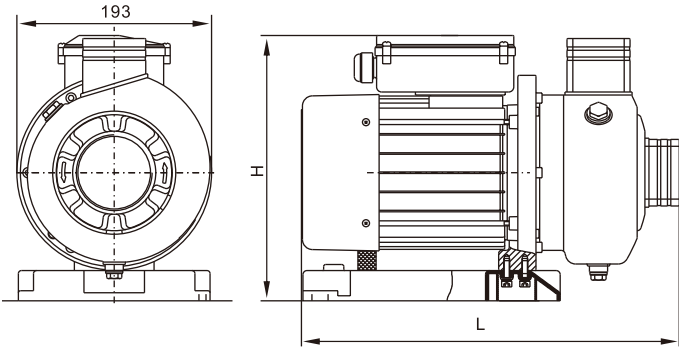
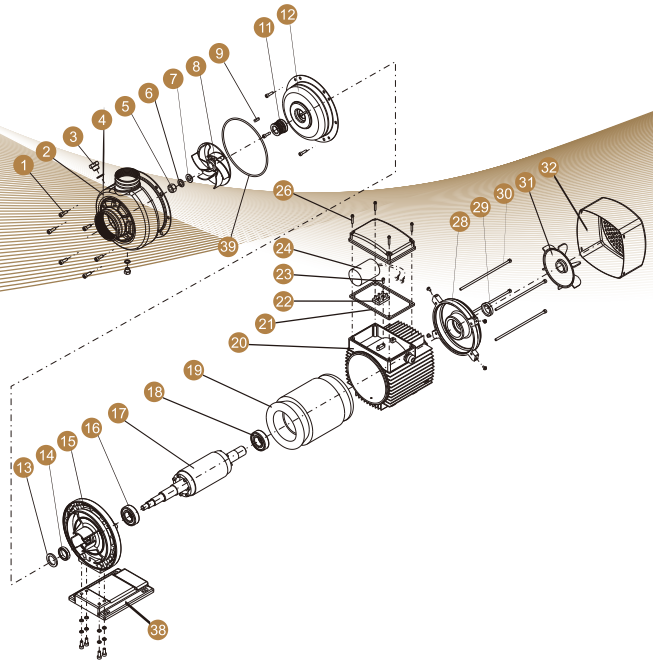
Close impeller centrifugal pump

Liquid temperature : 4°C to 80°C / +39°F to +176°F
HP range: 2 to 3 HP / 1.5kW to 2.2kW
PH: 6 to 8
Rated Speed 2900rpm
Insulation Class: F Class
Protection class: IP55
Max. working pressure: 7 bar



HUNG PUMP GROUP

Booster Pumps



High operating efficiency

| Model | H (mm) | | L(mm) |
|-----------|--------|-----|-------|
| | 1Φ | 3Φ | |
| SWO-220T | 263 | 235 | 378 |
| SWO-320T | 242 | 242 | 413 |
| SW-220(T) | 263 | 235 | 378 |
| SW-320(T) | 242 | 242 | 413 |

| Construction | | | | | |
|--------------|-------------------|-------------------|-----|-----------------|-------------|
| No. | Description | Material | No. | Description | Material |
| 1 | Bolt | SUS304 | 18 | Bearing | NSK |
| 2 | Clip connection | SUS304 | 19 | Stator in total | |
| 3 | Priming plug | SUS304 | 20 | Base | Aluminum |
| 4 | O-ring | FPM | 21 | Rubber Mat | NBR |
| 5 | Nut | SUS304 | 22 | Terminal Block | |
| 6 | Spring Washer | SUS304 | 23 | Bolt | Zinc Plated |
| 7 | Flat Washer | SUS304 | 24 | Capacitor | |
| 8 | Open Impeller-SWO | SUS304 | 26 | Bolt | Zinc Plated |
| | Close impeller-SW | SUS304 | 28 | Back end Cover | Aluminum |
| 9 | Flat Key | SUS304 | 29 | Reinforce Seal | NBR |
| 11 | Mechanical Seal | Carbon/NBR/Cermic | 30 | Bolt | Zinc Plated |
| 12 | Pump Cover | SUS304 | 31 | Fan | PP |
| 13 | Washer | EPDM | 32 | Fan Cover | 08F |
| 14 | Reinforced Seal | NBR | 38 | Base | FCD |
| 15 | Front end Bearing | Alumium | 39 | Labyrinth Ring | SUS 304 |
| 16 | Bearing | NSK | 40 | O-ring | FPM |
| 17 | Rotor in Total | | | | |



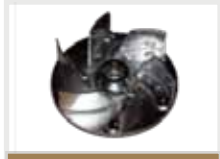
SW- with Close Impeller



Back pullout construction: To maintain impeller and seal without disturbing suction and discharge connections



Close coupled design: Simplifies maintenance and installation



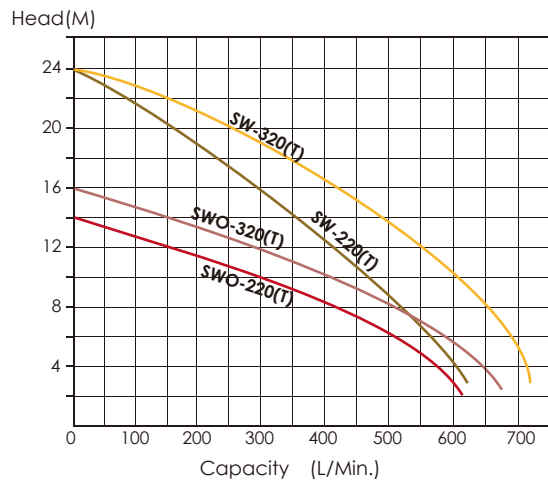
SWO-with open Impeller



Stainless steel liquid end components:
1. High Quality
2. Corrosion resistance



Foot support under casing: To reduce misalignment from pipe loads



Specifications

| Model No. | Output | | Connection inch | Max Flow (LPM) | LPM Flow @ Head | | | | | Max Head (M) | Dimension L x W x H(mm) | Weight Kg |
|------------|--------|-----|--------------------|-------------------|-----------------|-----|-----|-----|-----|-----------------|----------------------------|--------------|
| | HP | kW | | | 4M | 6M | 8M | 10M | 12M | | | |
| SWO-220(T) | 2 | 1.5 | 2"X2" | 620 | 570 | 505 | 415 | 295 | 160 | 14 | 380 x 195 X 265 | 20 |
| SWO-320(T) | 3 | 2.2 | | 670 | 645 | 600 | 515 | 410 | 295 | 16 | 415 x 195 x 242 | 23 |
| SW-220(T) | 2 | 1.5 | | 630 | 570 | 495 | 420 | 325 | 230 | 24 | 380 x 195 x 265 | 24 |
| SW-320(T) | 3 | 2.2 | | 720 | 680 | 630 | 550 | 450 | 325 | 24 | 415 x 195 x 242 | 25 |